

## 产品概览

### AR0135CS: CMOS 图像传感器，数字型，全局快门，1.2 MP，1/3"

欲看完整文档，请参阅数据表。

这种 1/3 英寸形式、1.2 MP 成像器件适用于满足工业、消费品和物联网应用的挑战性要求。这种新型全局快门传感器让摄像头能够“冻住”快速移动的场景数据，确保与脉冲光源的高效同步。AR0135 传感器结合了新型创新全局快门像素设计，与前代产品相比暗电流降低了 10 倍，快门效率提高了 4 倍。这些性能改善让该传感器能够在低光度和亮度场景以及高温环境中产生清晰的无噪点图像。此性能在三维扫描器、手势识别设备中实现了所需的眼部跟踪和手势检测功能。

## 特性

- ON Semiconductor's Next Generation Global Shutter Technology
- Superior Low-light Performance
- HD Video (720p60)
- Video/Single Frame Mode
- Flexible Row-skip Modes
- On-chip AE and Statistics Engine
- Parallel and Serial Output
- Support for External LED or Flash
- Auto Black Level Calibration
- Context Switching

For more features, see the data sheet

## 应用

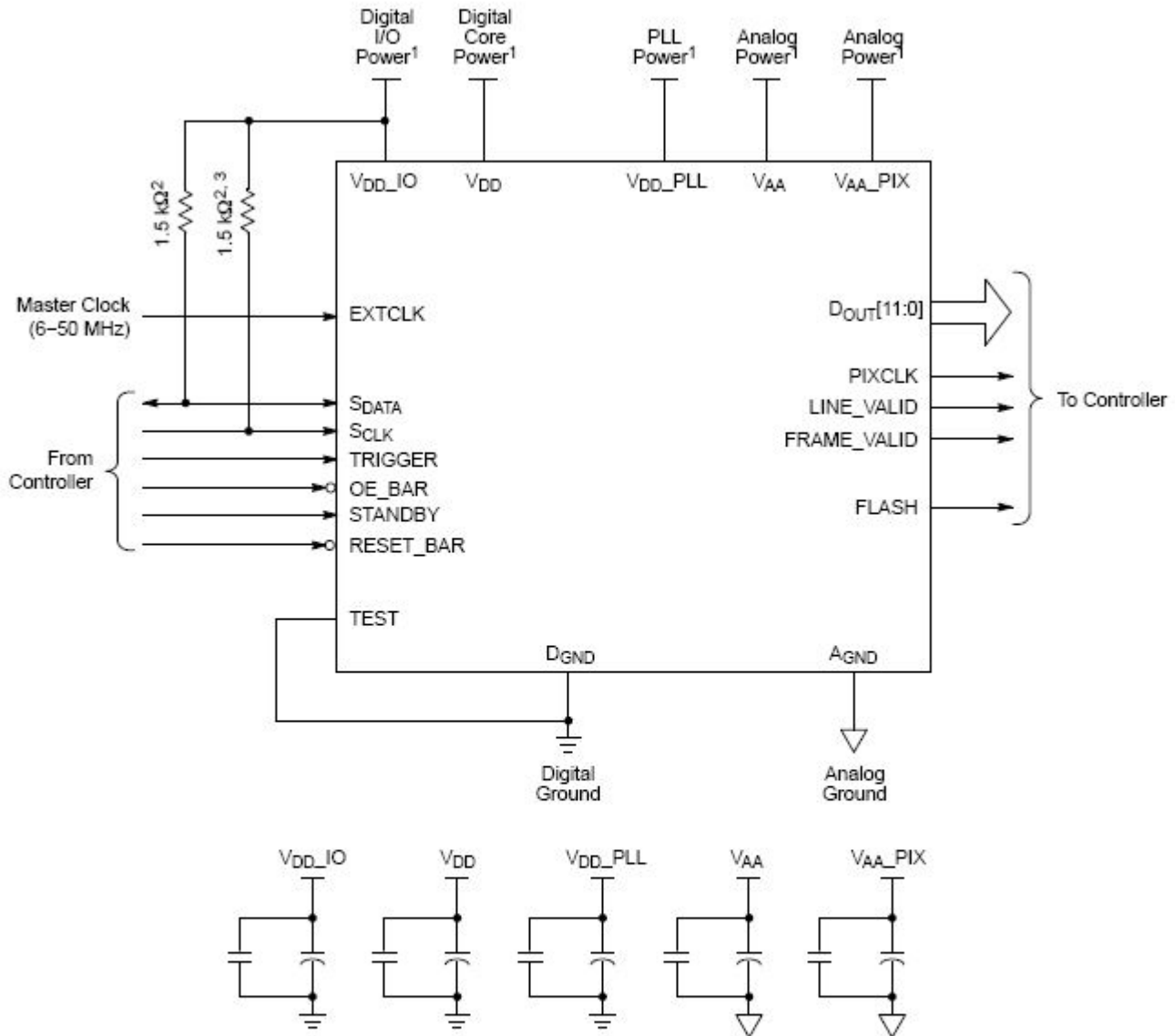
- Barcode scanner
- 3D scanning
- Positional tracking
- Iris Scanning
- Augmented Reality



产品	Pricing (\$/Unit)	Compliance	Status	Type	Megapixels	Frame Rate (fps)	Optical Format	Shutter Type	Pixel Size (µm)	Output Interface	Color	Package Type
AR0135CS2C00SUD20		Pb-free Halide free non AEC-Q and PPAP	Active	CMOS	1.2	54 60	1/3 inch	Global Shutter	3.75 x 3.75	HiSPi™ Parallel	RGB	
AR0135CS2C00SUEA0-DPBR		Pb-free Halide free non AEC-Q and PPAP	Active	CMOS	1.2		1/3 inch	Global Shutter	3.75 x 3.75	HiSPi™ Parallel	RGB	IBGA-63
AR0135CS2C00SUEA0-DPBR1		Pb-free Halide free non AEC-Q and PPAP	Active	CMOS	1.2		1/3 inch	Global Shutter	3.75 x 3.75	HiSPi™ Parallel	RGB	IBGA-63
AR0135CS2C00SUEA0-DRBR		Pb-free Halide free non AEC-Q and PPAP	Active	CMOS	1.2		1/3 inch	Global Shutter	3.75 x 3.75	HiSPi™ Parallel	RGB	IBGA-63
AR0135CS2C00SUEA0-DRBR1		Pb-free Halide free non AEC-Q and PPAP	Active	CMOS	1.2		1/3 inch	Global Shutter	3.75 x 3.75	HiSPi™ Parallel	RGB	IBGA-63
AR0135CS2C19SUD20		Pb-free Halide free non AEC-Q and PPAP	Active	CMOS	1.2		1/3 inch	Global Shutter	3.75 x 3.75	HiSPi™ Parallel	RGB	
AR0135CS2C19SUEA0-DPBR		Pb-free Halide free non AEC-Q and PPAP	Active	CMOS	1.2		1/3 inch	Global Shutter	3.75 x 3.75	HiSPi™ Parallel	RGB	IBGA-63
AR0135CS2C19SUEA0-DPBR1		Pb-free Halide free non AEC-Q and PPAP	Active	CMOS	1.2		1/3 inch	Global Shutter	3.75 x 3.75	HiSPi™ Parallel	RGB	IBGA-63
AR0135CS2C19SUEA0-DRBR		Pb-free Halide free non AEC-Q and PPAP	Active	CMOS	1.2		1/3 inch	Global Shutter	3.75 x 3.75	HiSPi™ Parallel	RGB	IBGA-63
AR0135CS2C19SUEA0-DRBR1		Pb-free Halide free non AEC-Q and PPAP	Active	CMOS	1.2		1/3 inch	Global Shutter	3.75 x 3.75	HiSPi™ Parallel	RGB	IBGA-63
AR0135CS2M00SUD20		Pb-free Halide free non AEC-Q and PPAP	Active	CMOS	1.2		1/3 inch	Global Shutter	3.75 x 3.75	HiSPi™ Parallel	Mono	
AR0135CS2M00SUEA0-DPBR		Pb-free Halide free non AEC-Q and PPAP	Active	CMOS	1.2		1/3 inch	Global Shutter	3.75 x 3.75	HiSPi™ Parallel	Mono	IBGA-63
AR0135CS2M00SUEA0-DPBR1		Pb-free Halide free non AEC-Q and PPAP	Active	CMOS	1.2		1/3 inch	Global Shutter	3.75 x 3.75	HiSPi™ Parallel	Mono	IBGA-63
AR0135CS2M00SUEA0-DRBR		Pb-free Halide free non AEC-Q and PPAP	Active	CMOS	1.2		1/3 inch	Global Shutter	3.75 x 3.75	HiSPi™ Parallel	Mono	IBGA-63
AR0135CS2M00SUEA0-DRBR1		Pb-free Halide free non AEC-Q and PPAP	Active	CMOS	1.2		1/3 inch	Global Shutter	3.75 x 3.75	HiSPi™ Parallel	Mono	IBGA-63
AR0135CS2M25SUD20		Pb-free Halide free non AEC-Q and PPAP	Active	CMOS	1.2		1/3 inch	Global Shutter	3.75 x 3.75	HiSPi™ Parallel	Mono	

AR0135CS2M25SUEA0 -DPBR		Pb-free Halide free non AEC-Q and PPAP	Active	CMOS	1.2		1/3 inch	Global Shutter	3.75 x 3.75	HiSPi™ Parallel	Mono	IBGA-63
AR0135CS2M25SUEA0 -DPBR1		Pb-free Halide free non AEC-Q and PPAP	Active	CMOS	1.2		1/3 inch	Global Shutter	3.75 x 3.75	HiSPi™ Parallel	Mono	IBGA-63
AR0135CS2M25SUEA0 -DRBR		Pb-free Halide free non AEC-Q and PPAP	Active	CMOS	1.2		1/3 inch	Global Shutter	3.75 x 3.75	HiSPi™ Parallel	Mono	IBGA-63
AR0135CS2M25SUEA0 -DRBR1		Pb-free Halide free non AEC-Q and PPAP	Active	CMOS	1.2		1/3 inch	Global Shutter	3.75 x 3.75	HiSPi™ Parallel	Mono	IBGA-63
AR0135CS2M25SUEA0 -TPBR		Pb-free Halide free non AEC-Q and PPAP	Active	CMOS	1.2		1/3 inch	Global Shutter	3.75 x 3.75	HiSPi™ Parallel	Mono	IBGA-63
AR0135CS2M25SUEA0 -TRBR		Pb-free Halide free non AEC-Q and PPAP	Active	CMOS	1.2		1/3 inch	Global Shutter	3.75 x 3.75	HiSPi™ Parallel	Mono	IBGA-63

## 应用框图



### Notes:

1. All power supplies must be adequately decoupled.
2. ON Semiconductor recommends a resistor value of 1.5 kΩ, but a greater value may be used for slower two-wire speed.
3. This pull-up resistor is not required if the controller drives a valid logic level on SCLK at all times.
4. The serial interface output pads can be left unconnected if the parallel output interface is used.
5. ON Semiconductor recommends that 0.1 μF and 10 μF decoupling capacitors for each power supply are mounted as close as possible to the pad. Actual values and results may vary depending on the layout and design considerations. Refer to the AR0135CS demo headboard schematics for circuit recommendations.
6. ON Semiconductor recommends that analog power planes are placed in a manner such that coupling with the digital power planes is minimized.

欲了解更多信息，请联系您当地的销售支援 [www.onsemi.cn](http://www.onsemi.cn)。

创建于：10/30/2020