

### CSE5-100301

#### Description:

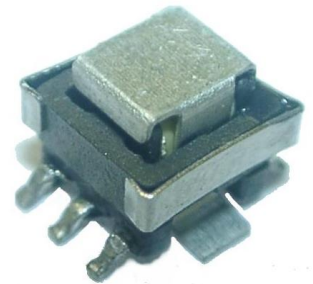
EE5 Surface mounting design  
 Height: 5.3mm Max  
 Optimal performance at 250 kHz and above  
 Primary Current Rating: 10 amps  
 Insulation Resistance: 10MΩ Minimum  
 Operating Temperature Range: -15°C to +105°C  
 Custom designs available  
 Energy Time (E.T.) = 16.2V μS Max

#### Application:

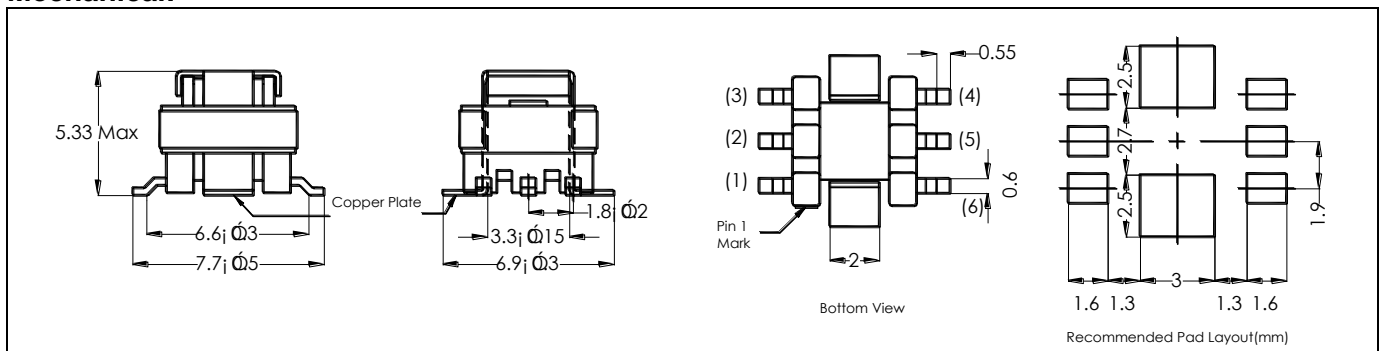
Ac current detection  
 Output supply for control circuit  
 Switching Power Supply

#### Electrical Specifications @ 25C

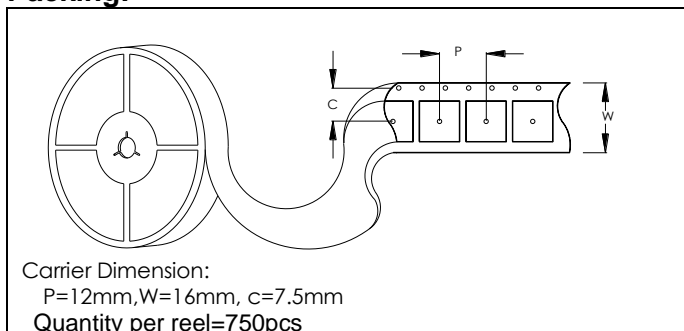
Turns N1:N2	Secondary Min Inductance (μH)	Secondary Max DCR (mΩ)	Color Code	
			Dot	Tape
1:30	180	870	YEL	YEL



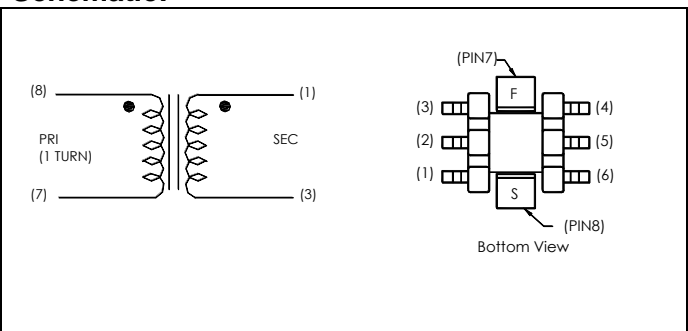
#### Mechanical:



#### Packing:



#### Schematic:



**RoHS Compliance:** As of manufacturing date February 2016, all standard products meet the requirements of 2015/863/EU, known as the RoHS 3 initiative.

\* Upon printing, this document is considered "uncontrolled". Please contact Triad Magnetics' website for the most current version

# Mouser Electronics

Authorized Distributor

Click to View Pricing, Inventory, Delivery & Lifecycle Information:

[Triad Magnetics:](#)

[CSE5-100301](#)