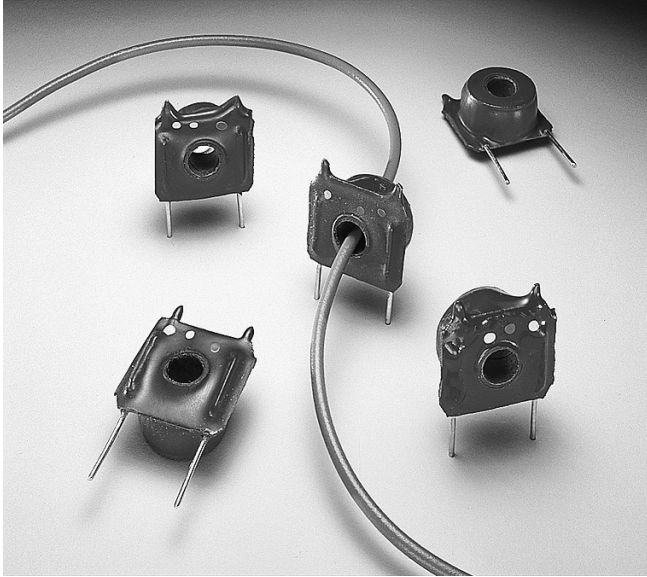




50/60Hz Current Sensor – CS60-010



This Coilcraft current sensor is intended for measuring current from 1 to 10 A_{rms}. The sensor functions as the encapsulated secondary of a current transformer, while the conductor carrying the current to be measured serves as the “one turn primary.” Sensitivity may be enhanced by increasing primary turns.

Minimum wall thickness of the hole is 0.5 mm to meet IEC 380 and other requirements when used with an insulated conductor.

Applications include sensing branch circuit overload and detecting load drop or shutdown.

Coilcraft **Designer's Kit P403** contains two samples of this sensor and 15 samples of nine different high frequency current sensors. To order, contact Coilcraft or visit <http://order.coilcraft.com>.

Part number ¹	Sensed current I _{rms}	V _{out} tolerance
CS60-010_	1–10 A _{rms}	±10%

(For sensed current above 10 A_{rms}, see CS60 data sheet)

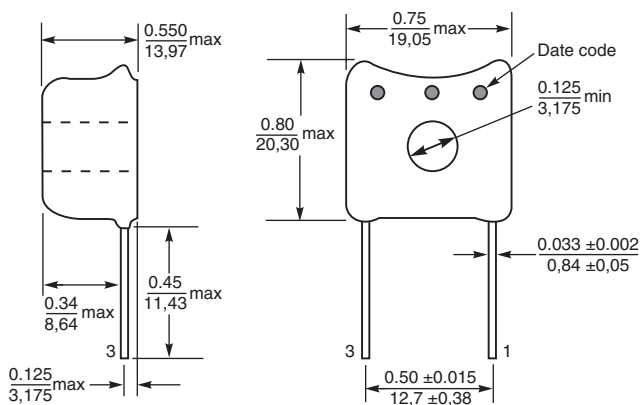
1. When ordering, please specify **termination** code:

CS60-010L

Termination: L = RoHS compliant tin-silver over copper.
Special order: T = RoHS tin-silver-copper (95.5/4/0.5)
or S = non-RoHS tin-lead (63/37).

2. Ambient temperature range –40°C to +85°C.

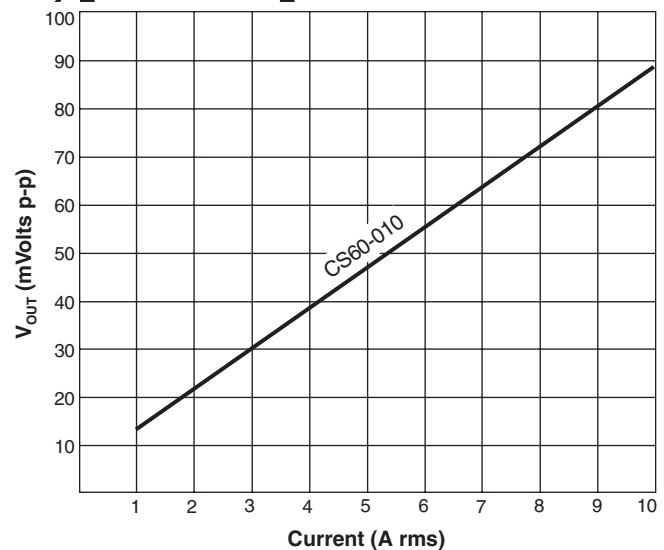
3. Electrical specifications at 25°C.



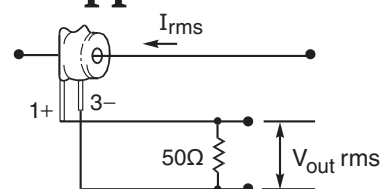
Dimensions are in $\frac{\text{inches}}{\text{mm}}$

Weight: 5.8 g

Typical Response



Typical Application



Coilcraft
www.coilcraft.com

US +1-847-639-6400 sales@coilcraft.com
UK +44-1236-730595 sales@coilcraft-europe.com
Taiwan +886-2-2264 3646 sales@coilcraft.com.tw
China +86-21-6218 8074 sales@coilcraft.com.cn
Singapore +65-6484 8412 sales@coilcraft.com.sg

Document 133 Revised 02/01/05

© Coilcraft Inc. 2013

This product may not be used in medical or high risk applications without prior Coilcraft approval. Specification subject to change without notice. Please check web site for latest information.

Mouser Electronics

Authorized Distributor

Click to View Pricing, Inventory, Delivery & Lifecycle Information:

[Coilcraft:](#)

[CS60-010L](#)