

## Model 125

### Load Cell



#### DESCRIPTION

The Model 125 load cells combines both a compact form and high precision to offer a superior tension force transducer. The one-piece S-shaped design achieves a maximum non-linearity of 0.03 % full scale for load ranges from 100 kg to 500 kg.

#### FEATURES

- 100 kg to 500 kg range
- $\pm 0.03$  % accuracy
- One-piece, nickel-plated alloy steel construction
- Mating connector and 5 m cable included
- Cost efficient

#### POTENTIAL APPLICATIONS

- Steelyard rod conversions
- Mechanical weigh bridges
- Platform scales
- Electronic scales

# Model 125

## PERFORMANCE SPECIFICATIONS

Characteristic	Measure
Load ranges <sup>3</sup>	100, 200, 300, 500 kg
Accuracy	±0.03 % full scale
Output	2.0 mV/V
Creep (max.)	±0.02 % full scale (30 minutes)

## ENVIRONMENTAL SPECIFICATIONS

Characteristic	Measure
Temperature, operating	-30 °C to 70 °C [-22 °F to 158 °F]
Temperature, compensated	-20 °C to 55 °C [-4 °F to 131 °F]
Temperature effect, zero	±0.02 % full scale/10 °C
Temperature effect, span	±0.02 % full scale/10 °C
Protection class	IP67

## ELECTRICAL SPECIFICATIONS

Characteristic	Measure
Strain gage type	Bonded foil
Excitation (acceptable)	10 Vdc to 12 Vdc
Excitation (max.)	15 Vdc
Insulation resistance	≥ 5000 mOhm
Bridge resistance (tolerance) - Input resistance	400 ohm ±10 ohm (nominal)
Bridge resistance (tolerance) - Output resistance	352 ohm ±2 ohm (nominal)
Zero balance (tolerance)	±1 % full scale
Electrical termination (std)	Mating connector and 5 m [16.40 ft] cable (included)

## MECHANICAL SPECIFICATIONS

Characteristic	Measure
Maximum allowable load	150 % FS <sup>1</sup>
Material	Nickel plated alloy steel

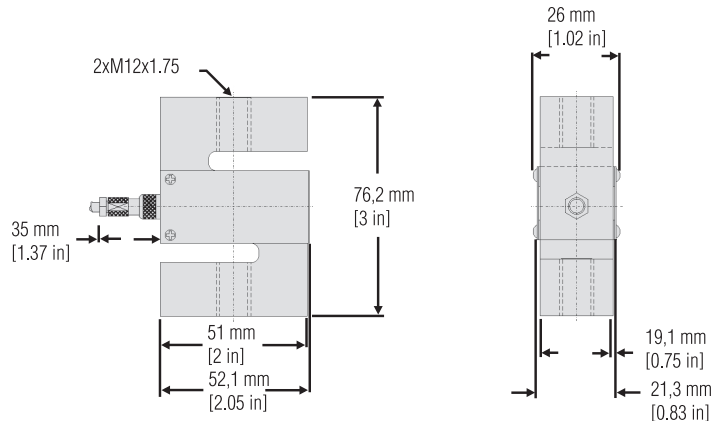
## WIRING CODES

Cable	
Red	(+) supply
Black	(-) supply
Green	(+) output
White	(-) output
Large Black	Shield

## RANGE CODES

Range codes	Range
LH	100 kg
LK	200 kg
LM	300 kg
LN	500 kg

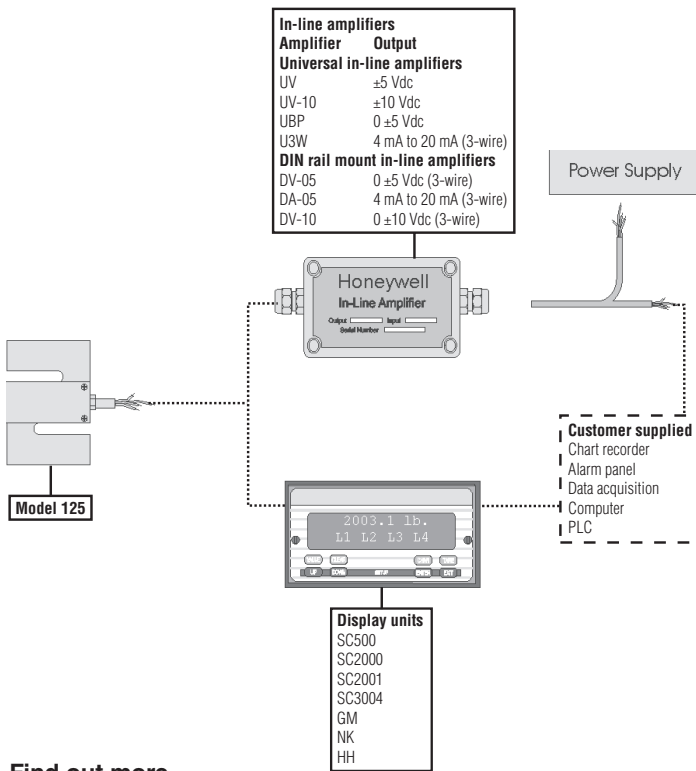
## MOUNTING DIMENSIONS



## NOTES

1. Allowable maximum loads – maximum load to be applied without damage.<sup>2</sup>
2. Without damage - loading to this level will not cause excessive zero shift or performance degradation. The user must consider fatigue life for long term use and structural integrity. All structurally critical applications (overhead loading, etc.) should always be designed with safety redundant load paths.
3. This unit is calibrated to Metric (non-Imperial) units.

## TYPICAL SYSTEM DIAGRAM



## Find out more

Honeywell serves its customers through a worldwide network of sales offices, representatives and distributors. For application assistance, current specifications, pricing or name of the nearest Authorized Distributor, contact your local sales office.

To learn more about Honeywell's test and measurement products, call **+1-614-850-5000**, visit

**<http://measurementsensors.honeywell.com>**, or e-mail inquiries to **[info.tm@honeywell.com](mailto:info.tm@honeywell.com)**

or e-mail inquiries to **[info.tm@honeywell.com](mailto:info.tm@honeywell.com)**

Sensing and Control

**Honeywell**

1985 Douglas Drive North  
Golden Valley, MN 55422 USA

**[honeywell.com/sensing](http://honeywell.com/sensing)**

008665-2-EN IL50 GLO  
July 2013

Copyright © 2013 Honeywell International Inc. All rights reserved.

**Warranty.** Honeywell warrants goods of its manufacture as being free of defective materials and faulty workmanship. Honeywell's standard product warranty applies unless agreed to otherwise by Honeywell in writing; please refer to your order acknowledgement or consult your local sales office for specific warranty details. If warranted goods are returned to Honeywell during the period of coverage, Honeywell will repair or replace, at its option, without charge those items it finds defective. **The foregoing is buyer's sole remedy and is in lieu of all warranties, expressed or implied, including those of merchantability and fitness for a particular purpose. In no event shall Honeywell be liable for consequential, special, or indirect damages.**

While we provide application assistance personally, through our literature and the Honeywell web site, it is up to the customer to determine the suitability of the product in the application.

Specifications may change without notice. The information we supply is believed to be accurate and reliable as of this printing. However, we assume no responsibility for its use.

## ⚠ WARNING PERSONAL INJURY

- DO NOT USE these products as safety or emergency stop devices or in any other application where failure of the product could result in personal injury.

**Failure to comply with these instructions could result in death or serious injury.**

## ⚠ WARNING MISUSE OF DOCUMENTATION

- The information presented in this catalogue is for reference only. DO NOT USE this document as product installation information.
- Complete installation, operation and maintenance information is provided in the instructions supplied with each product.

**Failure to comply with these instructions could result in death or serious injury.**

**Honeywell**

# Mouser Electronics

Authorized Distributor

Click to View Pricing, Inventory, Delivery & Lifecycle Information:

[Honeywell:](#)

[060-K627-04](#) [060-K627-03](#)