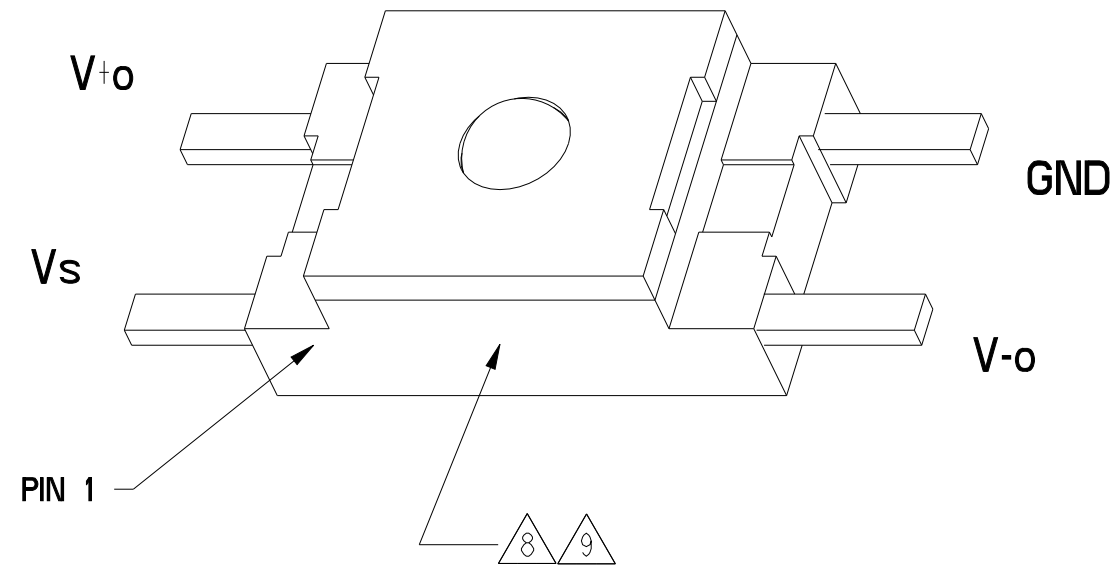
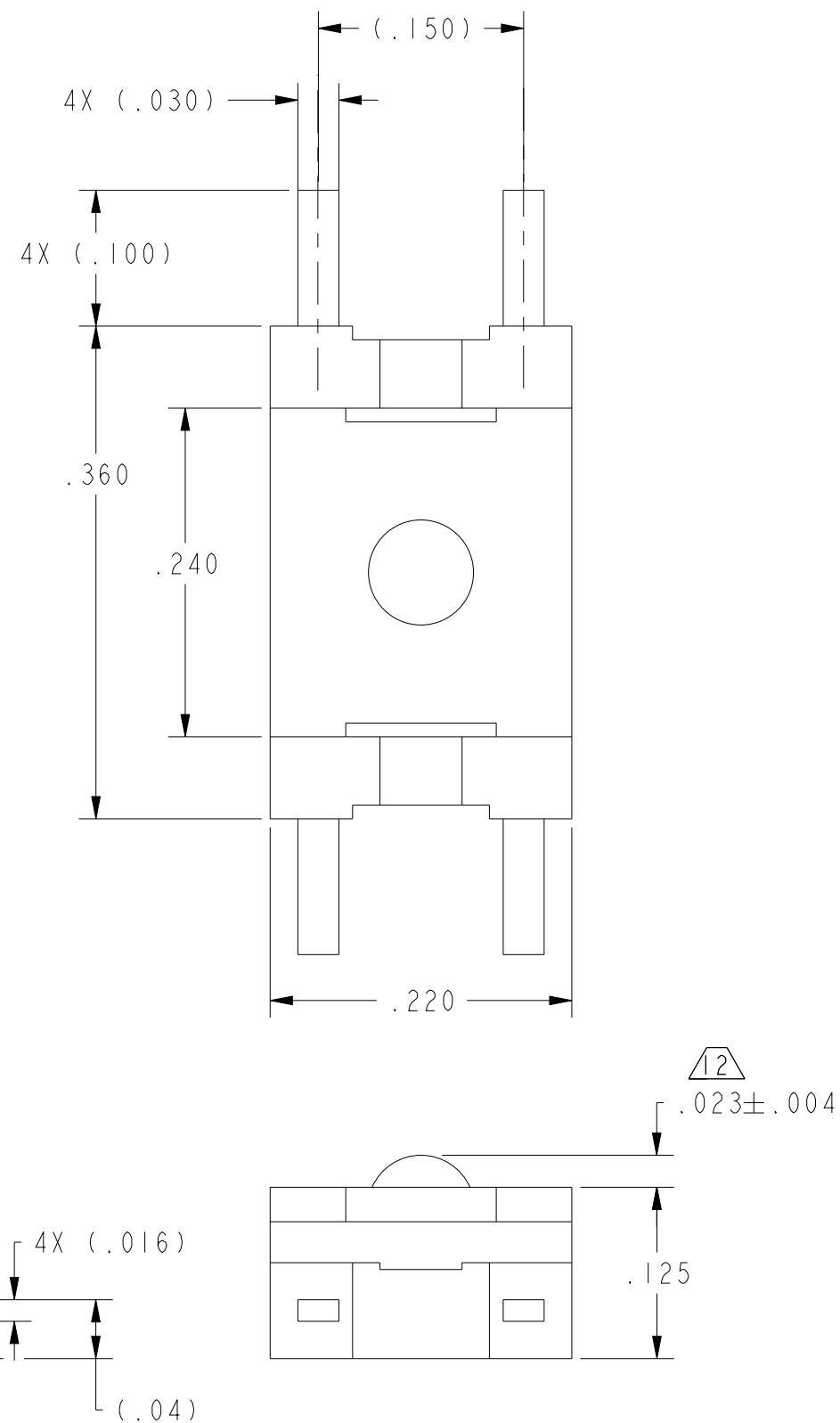


HONEYWELL
PART NUMBER
-

| REV | DOCUMENT | CHANGED BY | CHECK |
|-----|----------|-------------|-------|
| 8 | 0068656 | VKS 26AUG10 | RS |



PRE-LAUNCH RELEASE



| OPERATING CHARACTERISTICS | | | | |
|---|------|------|------|---------|
| at 5.00±.01 VDC, 25°C, UNLESS OTHERWISE NOTED | | | | |
| PARAMETER | MIN | NOM | MAX | UNITS |
| SUPPLY VOLTAGE | 3.0 | 5.0 | 6.0 | V |
| OPERATING FORCE | 0 | | 1500 | grams |
| NULL OFFSET | -15 | 0 | 15 | mV |
| SPAN $\triangle 4/\triangle 5$ | 150 | 180 | 210 | mV |
| SENSITIVITY | .10 | .12 | .14 | mV/gram |
| | | | | |
| | MIN | TYP | MAX | UNITS |
| LINEARITY (BFSL) $\triangle 6$ | -1.5 | ±0.7 | 1.5 | % SPAN |
| REPEATABILITY AT 300g | | ±1.5 | | mV |
| MECHANICAL HYSTERESIS | | ±0.5 | | % SPAN |
| NULL SHIFT $\triangle 7$ (25°C to 0°C, 25°C to 50°C) | | ±0.5 | | mV |
| SPAN SHIFT (25°C to 0°C) $\triangle 7$ | | 5.5 | | % SPAN |
| SPAN SHIFT (25°C to 50°C) $\triangle 7$ | | -5.5 | | % SPAN |
| OVER FORCE | | | 4500 | grams |
| | | | | |
| | MIN | NOM | MAX | UNITS |
| INPUT RESISTANCE | 4.0K | 5.0K | 6.0K | ohms |
| OUTPUT RESISTANCE | 4.0K | 5.0K | 6.0K | ohms |
| OPERATING TEMPERATURE (-40°C to 85°C) | | | | |
| STORAGE TEMPERATURE (-40°C to 100°C) | | | | |
| MCTF 20 MILLION | | | | |

CATALOGING SYSTEM

FS S 1500 N S T xx

PACKAGE STYLE
(S) SURFACE MOUNT

OPERATING FORCE RANGE
(1500) 1500 GRAMS

TEMP COMPENSATION
(C) COMPENSATED
(N) NON-COMPENSATED

LEAD STYLE
(G) GULL WING
(S) STRAIGHT

PACKING OPTION
(B) SHORT TUBE $\triangle 13$
(R) TAPE AND REEL
(T) STANDARD TUBE $\triangle 13$

SPECIAL FEATURE, BLANK = STANDARD

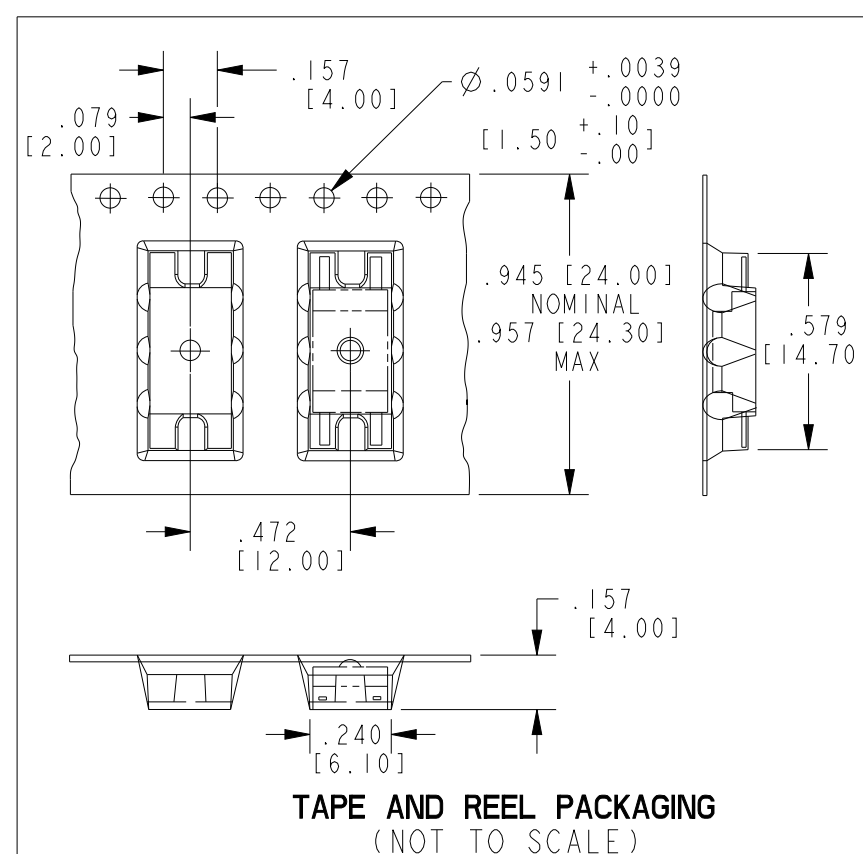
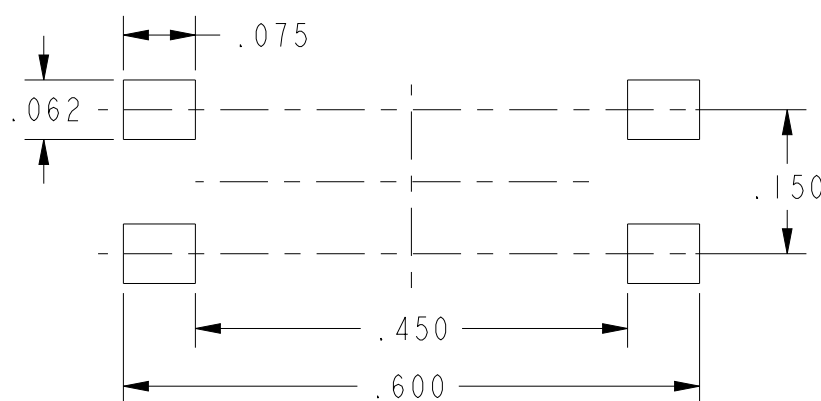


NOTES

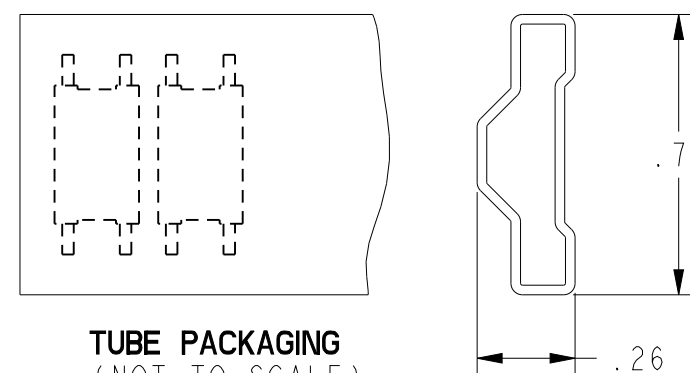
- 1 - DEVICE IS RATIO-METRIC TO THE SUPPLY VOLTAGE
- 2 - DEVICE CAN OPERATE WITH CURRENT EXCITATION
- 3 - ALL FORCE RELATED SPECIFICATIONS ESTABLISHED BY USING DEAD WEIGHT OR COMPLIANT FORCE
- $\triangle 4$ - SPAN IS THE ALGEBRAIC DIFFERENCE BETWEEN OUTPUT AT MAXIMUM RATED OPERATING FORCE AND OUTPUT AT 0 GRAMS
- $\triangle 5$ - SPAN VERIFIED AT 1500 GRAMS
- $\triangle 6$ - MEASURED AT 1500 GRAMS
- $\triangle 7$ - TEMPERATURE ERROR IS CALCULATED WITH RESPECT TO 25°C
- $\triangle 8$ - LASER BRAND CATALOG LISTING AND DATE CODE ON THIS SURFACE. PACKING STYLE IS NOT LASER BRANDED ON PRODUCT
- $\triangle 9$ - PIN 1 IS DESIGNATED BY THE LASER-MARKED SURFACE
- 10 - MAXIMUM PEAK SMT REFLOW TEMPERATURE OF 260°C [500°F] FOR 10 SECONDS.
- 11 - MANUAL SOLDERING RECOMMENDATION: 5 SECONDS AT 315°C PER LEAD
- $\triangle 12$ - NOMINAL DIMENSION AND TOLERANCE APPLY IN BALL-UP ORIENTATION ONLY
- $\triangle 13$ - PACKING OPTION SHORT TUBE IS 5 UNITS PER TUBE STANDARD TUBE IS 100 UNITS PER TUBE

| CATALOG LISTING | PRODUCT CODE | COLOR | LASER BRAND |
|-----------------|--------------|-------|-------------|
| FSS1500NSB | DXF2004 | BLACK | FSI500NS |
| FSS1500NSR | DXF2005 | BLACK | FSI500NS |
| FSS1500NST | DXF2006 | BLACK | FSI500NS |

SUGGESTED LAND PATTERN FOR LEAD STYLE "S"



TUBE PACKAGING (NOT TO SCALE)



| | | | |
|--------------------------|--|-----|---------|
| DESIGN UNITS: INCH | DRAWN | SAV | 27JUL04 |
| TOLERANCES UNLESS NOTED: | CHECK | SAV | 27JUL04 |
| NO PLACES X ± .400 | THIS DRAWING COVERS A PROPRIETARY ITEM AND IS THE PROPERTY OF HONEYWELL. THIS DRAWING IS NOT TO BE COPIED OR USED WITHOUT THE PERMISSION OF HONEYWELL. | | |
| ONE PLACE X ± .030 | | | |
| TWO PLACE XX ± .015 | | | |
| THREE PLACE XXX ± .005 | | | |
| ANGLES X ± - | | | |
| THIRD ANGLE PROJECTION | INTERPRET PER ASME Y14.5M-1994 OTHER HONEYWELL ENGINEERING STANDARDS MAY APPLY | | |

| | | | |
|--------------|----|-------|-----|
| PRO/ENGINEER | 3D | SCALE | 8:1 |
|--------------|----|-------|-----|

| | | | |
|-------------------------------|------|-----------|---------------------|
| Honeywell | | | |
| TITLE SENSOR, FORCE | | | |
| SIZE | TYPE | CAGE CODE | DRAWING NAME |
| C | I | - | FS SERIES CHART 1 8 |
| SHEET 1 OF 1 | | REV | |

Mouser Electronics

Authorized Distributor

Click to View Pricing, Inventory, Delivery & Lifecycle Information:

[Honeywell:](#)

[FSS1500NSB](#)