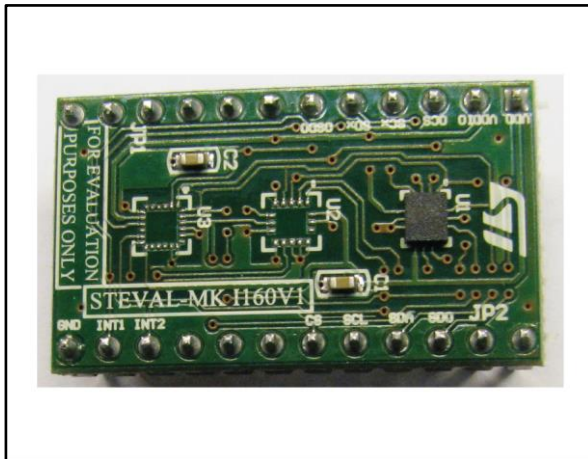


LSM6DS3 adapter board for a standard DIL24 socket

Data brief



Features

- Complete LSM6DS3 pinout for a standard DIL24 socket
- Fully compatible with the STEVAL-MKI109V2 and STEVAL-MKI109V3 motherboards
- Fully compatible with the X-NUCLEO-IKS01A1 expansion board for STM32 Nucleo
- RoHS compliant

Description

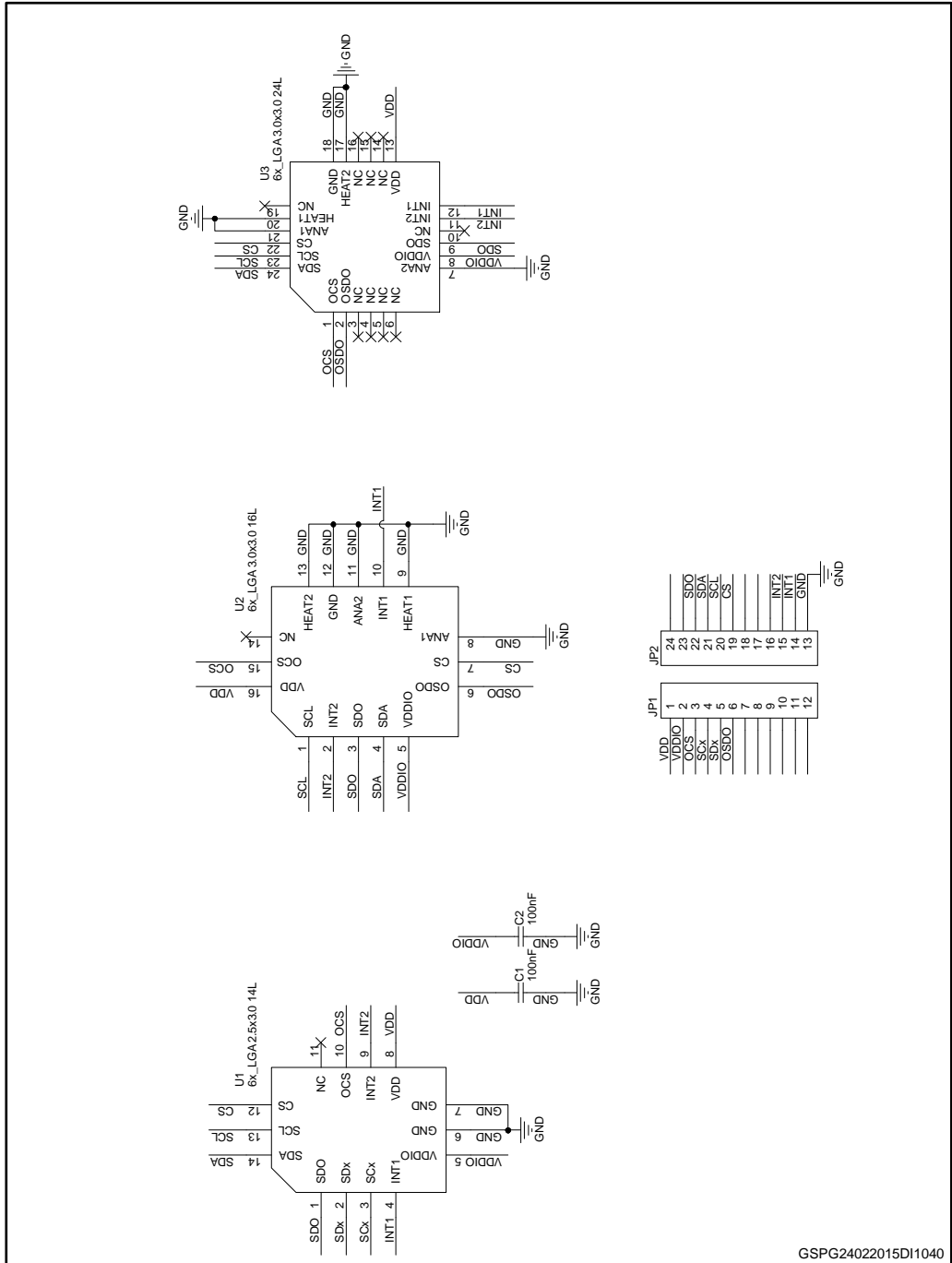
The STEVAL-MKI160V1 is an adapter board designed to facilitate the evaluation of MEMS inertial devices in the LSM6DS3 product family. The board offers an effective solution for fast system prototyping and device evaluation directly within the user's own application. The STEVAL-MKI160V1 can be plugged into a standard DIL24 socket. The adapter provides the complete LSM6DS3 pinout and comes ready to use with the required decoupling capacitors on the V_{DD} power supply line.

The DIL24 adapter is supported by the STEVAL-MKI109V2 and STEVAL-MKI109V3 motherboards and by the X-NUCLEO-IKS01A1 expansion board.

By using the STEVAL-MKI109V2 or STEVAL-MKI109V3, which include a STM32 Nucleo functioning as a bridge between the adapter and a PC, it is possible to configure the LSM6DS3 sensor through Unico GUI (Graphical User Interface) or dedicated software routines for customized applications.

1 Schematic diagram

Figure 1: STEVAL-MKI160V1 circuit schematic



GSPG24022015DI1040

2 Revision history

Table 1: Document revision history

Date	Rev	Changes
06-Mar-2015	1	First release.
09-Sep-2015	2	Updated features on the cover page.
06-Sep-2016	3	Updated features and description adding STEVAL-MKI109V3 motherboard compatibility

IMPORTANT NOTICE – PLEASE READ CAREFULLY

STMicroelectronics NV and its subsidiaries ("ST") reserve the right to make changes, corrections, enhancements, modifications, and improvements to ST products and/or to this document at any time without notice. Purchasers should obtain the latest relevant information on ST products before placing orders. ST products are sold pursuant to ST's terms and conditions of sale in place at the time of order acknowledgement.

Purchasers are solely responsible for the choice, selection, and use of ST products and ST assumes no liability for application assistance or the design of Purchasers' products.

No license, express or implied, to any intellectual property right is granted by ST herein.

Resale of ST products with provisions different from the information set forth herein shall void any warranty granted by ST for such product.

ST and the ST logo are trademarks of ST. All other product or service names are the property of their respective owners.

Information in this document supersedes and replaces information previously supplied in any prior versions of this document.

© 2016 STMicroelectronics – All rights reserved