

Description

The FS1027 MEMS Liquid Flow Sensor Module measures the flow rate using the thermo-transfer (calorimetric) principle. The FS1027 is designed to measure liquids.

The FS1027 offers key advantages over resistor-based flow solutions. The sensor utilizes thermopile sensing, which provides an excellent signal-to-noise ratio. The sensor comprises a “solid” thermal isolation technology and silicon-carbide coating, which protects it from abrasive wear and provides robustness and long-term reliability. In comparison, other sensors typically contain a fragile membrane above an etched cavity for the thermal isolation base.

There are no moving mechanical parts that can break in contrast to other flow meter types, such as a turbine-type meter. The FS1027 has minimal flow resistance, making it highly suitable for gravity-feed applications or for replacing a high-power pump with a lower power device.

The FS1027 complies with the *NSF/ANSI 61: Drinking Water System Components – Health Effects* standard.

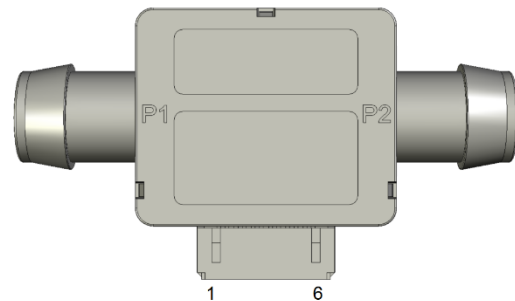
Typical Applications

- Beverage equipment
- Liquid-dispensing system
- Process controls and monitoring
- Fluid leak detection

Features

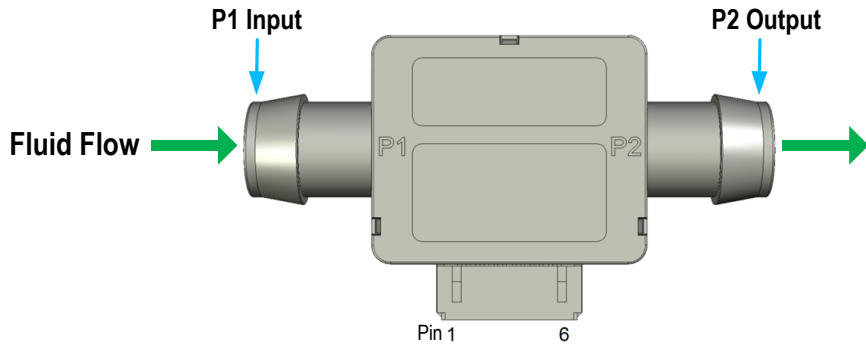
- Liquid flow: 0 to 10 liters/min
- Robust “solid” isolation technology
- Resistant to surface contamination
- No cavity to cause clogging
- Resistant to vibration and pressure shock
- Low-power application
- Minimal flow resistance
- Fast response: < 5ms
- Flow voltage output: 0V to 4.5V (uncalibrated)
- Thermistor voltage output: 1V to 4.5V
- Supply voltage: 5V
- Module operating temperature range: 5°C to +75°C

FS1027 Flow Sensor Module



Pin Assignments

Figure 1. Pin Assignments for Module – Top View



Pin Descriptions

Table 1. Pin Descriptions

Pin Number	Pad Name	Type	Description
1	VDD	In	Supply voltage
2	GND	In	Ground
3	OUTPUT	Out	Flow analog output
4	NC	—	Do not connect ^[a]
5	HE	In	Heater enable, +5V
6	TEMP	Out	Thermistor analog output

[a] "NC" stands for not connected / no connection required / not bonded.

Absolute Maximum Ratings

The absolute maximum ratings are stress ratings only. Stresses greater than those listed below can cause permanent damage to the device. Functional operation of the FS1027 at absolute maximum ratings is not implied. Exposure to absolute maximum rating conditions might affect device reliability.

Table 2. Absolute Maximum Ratings

Symbol	Parameter	Conditions	Minimum	Maximum	Units
V_{IN}	Supply Voltage			5.5	V
T_{STOR}	Storage Temperature		0	80	°C

Operating Conditions

Table 3. Recommended Operating Conditions

Symbol	Parameter	Minimum	Typical	Maximum	Units
V_{IN}	Supply Voltage	5.0		5.5	V
T_{AMB}	Ambient Operating Temperature	5		75	°C
P_{CM}	Common-Mode Pressure			30	PSI

Electrical Characteristics

Table 4. Electrical Characteristics

Symbol	Parameter	Conditions	Minimum	Typical	Maximum	Units
I_{VIN}	Current Consumption			15		mA
F_{LQ}	Liquid Flow Range		0		10	Liter/min
V_{OUT}	Analog Voltage Output	Uncalibrated	0		4.5	V
V_{NULL}	Flow Null Voltage		0	0.1	0.3	V
τ_H	Flow Response Time [a]			5		msec
V_{TEMP}	Temperature Output	At 5°C		4.25		V
		At 80°C		1.0		V

[a] The flow response time includes a 10% to 90% rise time for the flow sensor to electrically respond to any liquid flow change. Measurements might be affected by the pneumatic interface.

Mechanical Drawings

The module dimensional drawing is located at the end of this document. The package information is the most current data available and is subject to change without notice or revision of this document.

Ordering Information

Orderable Part Number	Description and Package	Shipping Packaging	Temperature
FS1027	FS1027: 0 to 10 liter/min liquid flow sensor module with amplified analog output	Box	5°C to +75°C

Revision History

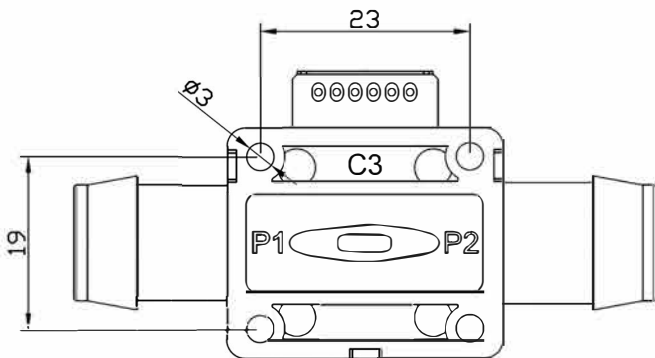
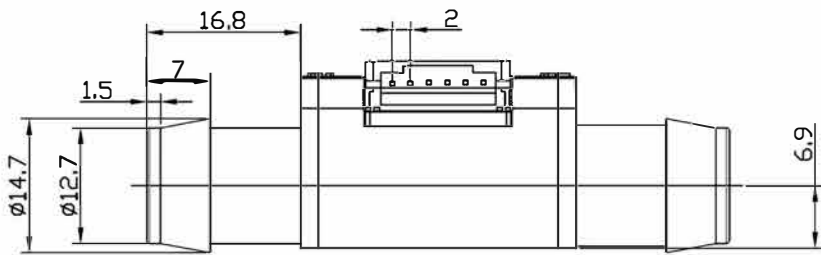
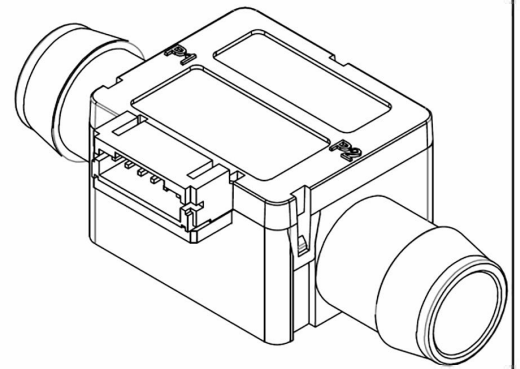
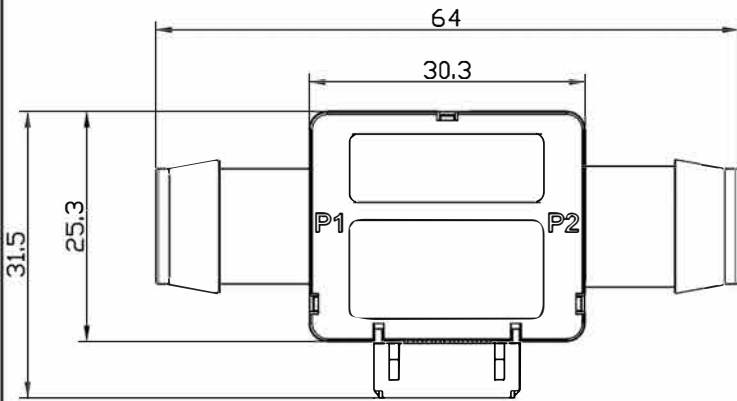
Revision Date	Description of Change
December 17, 2017	Initial release.

FS1027 Package Outline Drawing

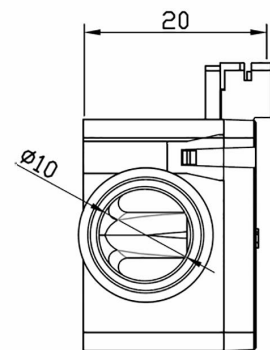
64.0 x 31.5 mm Module

MOD0D1, PSC-4741-01, Rev 00, Page 1

Top View



Bottom View



Package Revision History

Date Created	Rev No.	Description
Nov 28, 2017	Rev 00	Initial Release

IMPORTANT NOTICE AND DISCLAIMER

RENESAS ELECTRONICS CORPORATION AND ITS SUBSIDIARIES (“RENESAS”) PROVIDES TECHNICAL SPECIFICATIONS AND RELIABILITY DATA (INCLUDING DATASHEETS), DESIGN RESOURCES (INCLUDING REFERENCE DESIGNS), APPLICATION OR OTHER DESIGN ADVICE, WEB TOOLS, SAFETY INFORMATION, AND OTHER RESOURCES “AS IS” AND WITH ALL FAULTS, AND DISCLAIMS ALL WARRANTIES, EXPRESS OR IMPLIED, INCLUDING, WITHOUT LIMITATION, ANY IMPLIED WARRANTIES OF MERCHANTABILITY, FITNESS FOR A PARTICULAR PURPOSE, OR NON-INFRINGEMENT OF THIRD PARTY INTELLECTUAL PROPERTY RIGHTS.

These resources are intended for developers skilled in the art designing with Renesas products. You are solely responsible for (1) selecting the appropriate products for your application, (2) designing, validating, and testing your application, and (3) ensuring your application meets applicable standards, and any other safety, security, or other requirements. These resources are subject to change without notice. Renesas grants you permission to use these resources only for development of an application that uses Renesas products. Other reproduction or use of these resources is strictly prohibited. No license is granted to any other Renesas intellectual property or to any third party intellectual property. Renesas disclaims responsibility for, and you will fully indemnify Renesas and its representatives against, any claims, damages, costs, losses, or liabilities arising out of your use of these resources. Renesas' products are provided only subject to Renesas' Terms and Conditions of Sale or other applicable terms agreed to in writing. No use of any Renesas resources expands or otherwise alters any applicable warranties or warranty disclaimers for these products.

(Rev.1.0 Mar 2020)

Corporate Headquarters

TOYOSU FORESIA, 3-2-24 Toyosu,
Koto-ku, Tokyo 135-0061, Japan
www.renesas.com

Contact Information

For further information on a product, technology, the most up-to-date version of a document, or your nearest sales office, please visit:
www.renesas.com/contact/

Trademarks

Renesas and the Renesas logo are trademarks of Renesas Electronics Corporation. All trademarks and registered trademarks are the property of their respective owners.

Mouser Electronics

Authorized Distributor

Click to View Pricing, Inventory, Delivery & Lifecycle Information:

[Renesas Electronics:](#)

[FS1027](#) [FS1027-1001-DG](#) [FS1027-2001-DL](#)