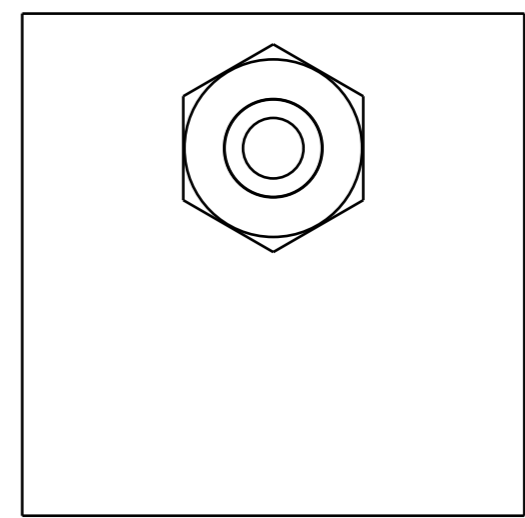
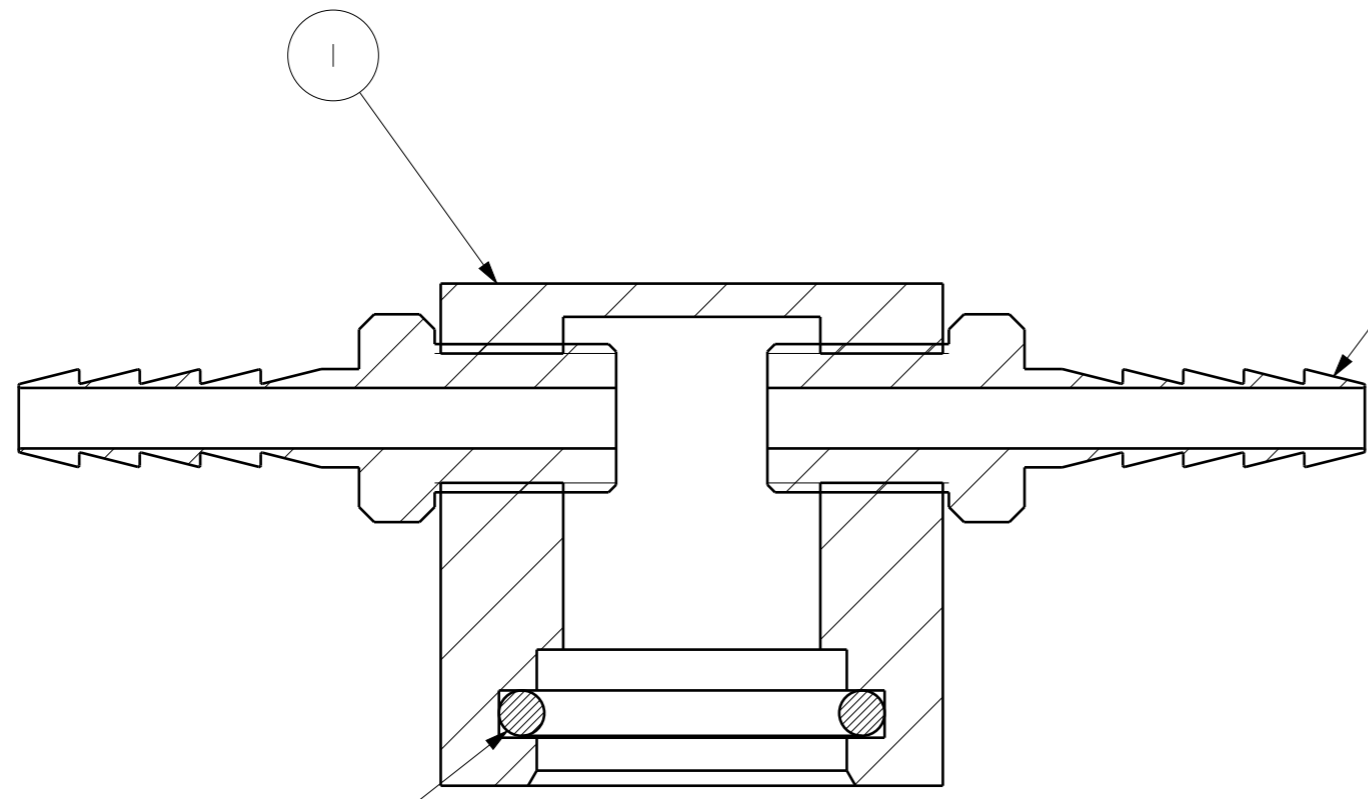


SCALE 1:1



REF.	PART NO.	DESCRIPTION	QTY.
1	JPP769637AA	MINISENSOR GAS CAP	1
2	M82286A	O-RING 19.50 ID x 3.00	1
3	M82360A	STAINLESS STEEL HOSE TAIL 1/8 BSPP	2

MATERIAL		SECURITY CLASSIFICATION		PROJECT SAFETY OFFICER (PSO)	
FINISH		e2v e2v technologies (uk) ltd 106 Waterhouse Lane, Chelmsford Essex, CMI 2QU United Kingdom Pro/ENGINEER		TITLE ECVQ FLOW HOOD ASSEMBLY	
MODELLED					
DRAWN		THIRD ANGLE PROJECTION		SCALE	
CHECKED		SHOULD THIS DRAWING BE DISTRIBUTED ELECTRONICALLY, THE DATA CONTAINED MUST BE CHECKED WITHIN THE DIMENSIONAL CONSTRAINTS SHOWN BEFORE TRANSFER TO ANY FORM OF COMPUTER AIDED MANUFACTURE.		VERSION 1 ECR DATE 108975 03 AUG 10	
APPROVED					
GENERAL TOLERANCE UNLESS OTHERWISE STATED		MATERIAL		DATE	
LINEAR ±		ANGULAR ±		SHEET 1 OF 1	
ALL DIMENSIONS IN mm UNLESS OTHERWISE STATED. IMPERIAL AND AUXILIARY DIMENSIONS IN BRACKETS. DIMENSIONS AND TOLERANCES APPLY TO THE MANUFACTURED PART INCLUDING ANY FINISH THIS DOCUMENT SPECIFIES. REMOVE ALL BURRS AND SHARP EDGES. FOR GENERAL MANUFACTURING INSTRUCTIONS SEE CP5-3-5. FOR EXPLANATION OF DRAWING TERMS AND SYMBOLS REFER TO BS:8888 OR BS:308					
A3 5063c-5		© e2v technologies (uk) ltd 2010. A Limited Company Registered in England No. 432014. Registered Office: 106 Waterhouse Lane, Chelmsford CMI 2QU, UK. Holding Company: e2v technologies plc. This document is supplied by e2v technologies (uk) ltd on the express understanding that it is to be treated as confidential and that it may not be copied, used or disclosed to others in whole or in part for any purpose except as authorised in writing by e2v technologies (uk) ltd.			

Mouser Electronics

Authorized Distributor

Click to View Pricing, Inventory, Delivery & Lifecycle Information:

[Amphenol:](#)

[JAS769638AA](#)