

SENORTECH

PERFORMANCE

Range 0 - 1000 ppm
 Sensitivity 50 - 130 nA/ppm H2S
 Zero in air at 20 °C <±8 ppm H2S
 Resolution 1 ppm H2S
 Expected lifetime 2 years
 Linearity linear across range
 Response time, t90 <45 s
 Long-term output drift change in output per month

OPERATING CONDITIONS

Temperature range -20 to +50 °C
 Temperature coefficient <0.5% signal per °C
 Operating humidity 15 - 90% RH (non-condensing)
 Pressure range 90 - 110 kPa (nominal)
 Operating circuit see Electrochemical Toxic Sensor Application Note
 Applied potential 0 V
 Storage life 6 months in original packaging (0 - 25 °C)

PHYSICAL CHARACTERISTICS

Label colour silver
 Weight 6 g
 Dimensions see outline

This device is designed to be RoHS compliant.

CROSS-SENSITIVITY DATA

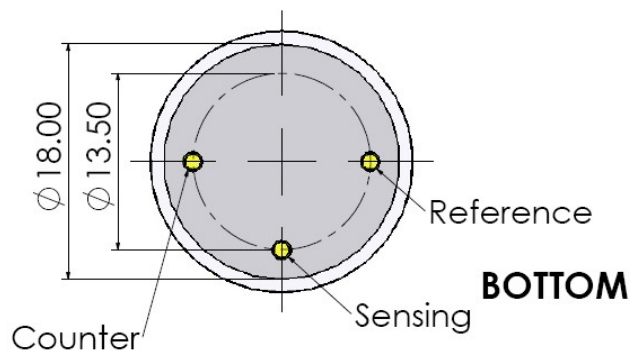
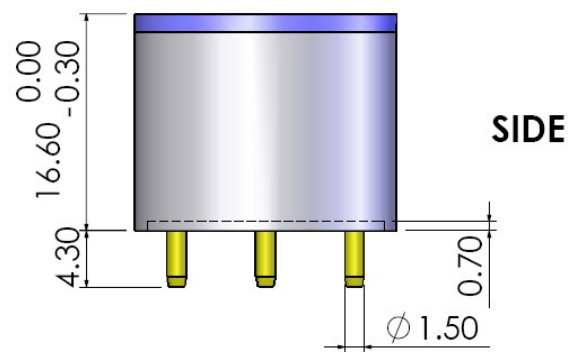
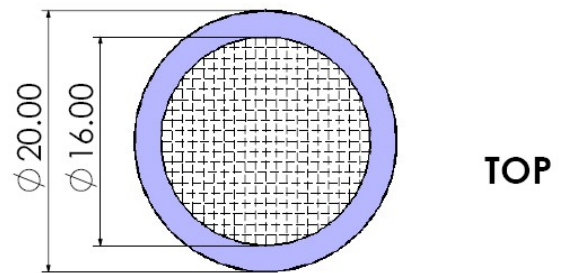
| GAS | Concentration (ppm) | Sensor Response (As ppm H2S) |
|------------------|---------------------|------------------------------|
| Carbon Monoxide | 300 | 0 |
| Sulfur Dioxide | 5 | 0 |
| Nitric Oxide | 35 | <3 |
| Nitrogen Dioxide | 5 | 0 |
| Hydrogen | 1000 | 0 |
| Isobutylene | 100 | 0 |

Important Note

Do not solder to the connector pins as this may damage the sensor and thereby invalidate the warranty.

Details on recommended connector pins can be found in the Frequently Asked Questions within the Gas Sensor section of the SGX website.

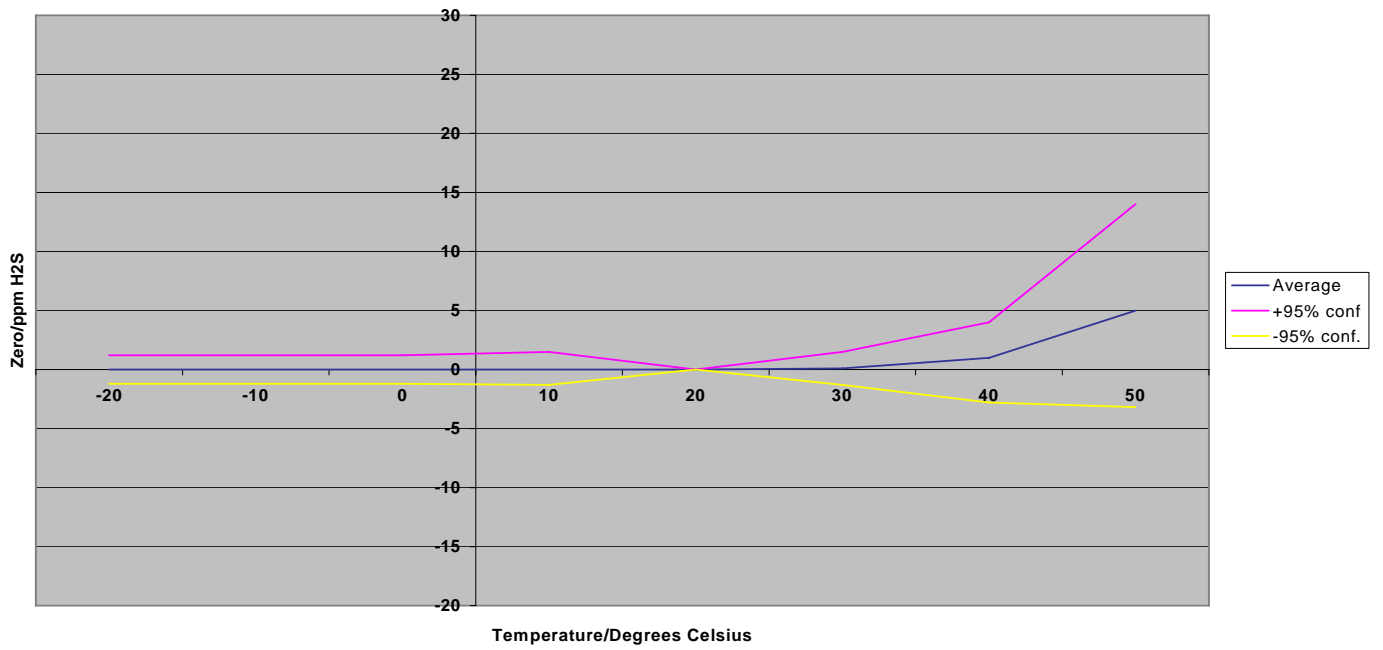
OUTLINE



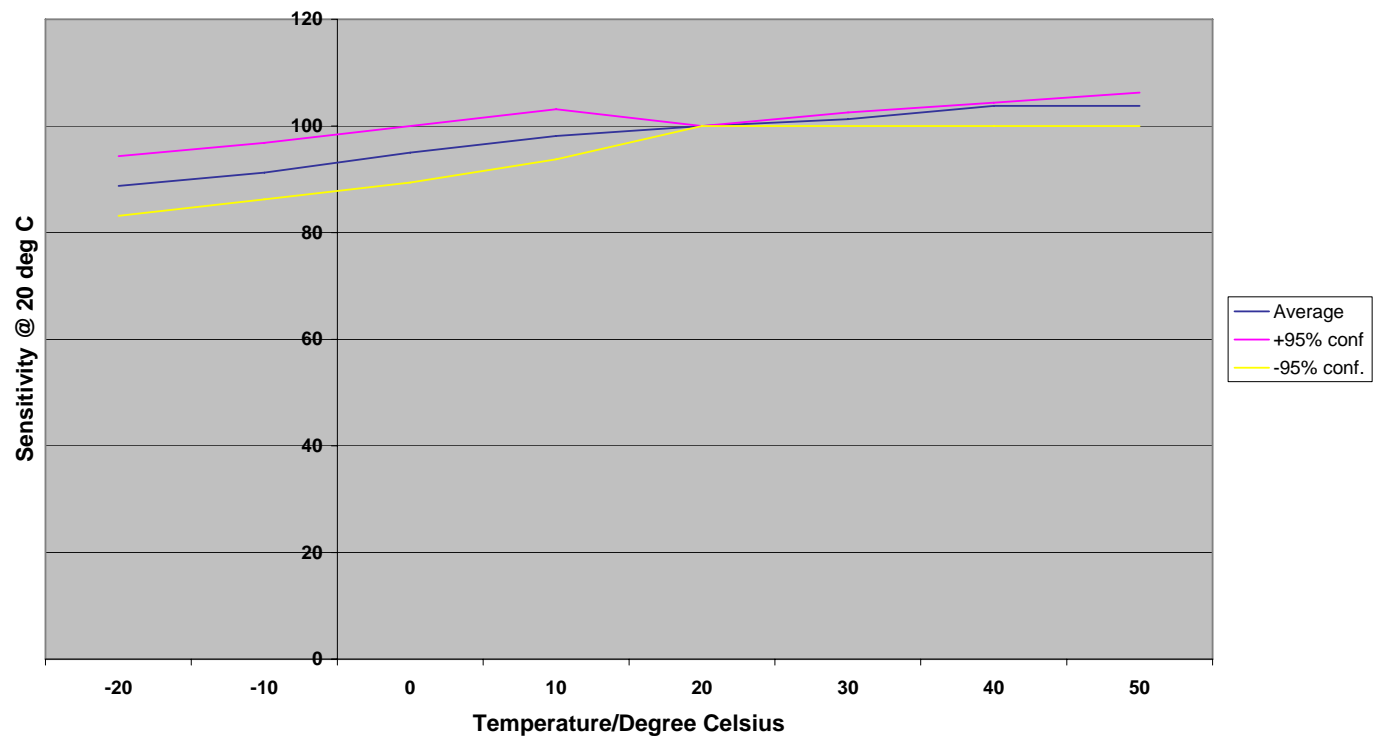
All dimensions in mm.
 All tolerances ±0.15mm unless otherwise stated.

TEMPERATURE DEPENDENCE

EC4-1000-H2S Graph of Zero vs Temperature



EC4-1000-H2S Graph of Net Sensitivity vs Temperature



Mouser Electronics

Authorized Distributor

Click to View Pricing, Inventory, Delivery & Lifecycle Information:

[Amphenol:](#)

[EC4-1000-H2S](#)