

SENORTECH

PERFORMANCE

Range	0 - 200 ppm
Sensitivity (see note)	250 - 650 nA/ppm Cl ₂
Zero in air at 20 °C	<±0.4 ppm Cl ₂
Zero deviation (-20 to +40°C)	0 to -0.3 ppm Cl ₂
Resolution	0.1 ppm Cl ₂
Expected lifetime	2 years
Linearity	linear across range
Response time, t ₉₀	<30 s
Temperature range	-20 to +50 °C
Pressure range	90 – 110 kPa (nominal)
Humidity range	15 - 90% RH (non-condensing)
Long-term output drift	<2% change in output per month
Operating circuit	see Electrochemical Toxic Sensor Application Note

Note: This output current is negative. This is because the sensor reaction is a reduction of the target gas.

OPERATING CONDITIONS

Temperature range	-20 to +50 °C
Operating humidity	15 - 90% RH (non-condensing)
Pressure range	90 - 110 kPa (nominal)
Operating circuit	see Electrochemical Toxic Sensor Application Note

Applied potential	0 V
Storage life	6 months in original packaging (0 - 25 °C)

PHYSICAL CHARACTERISTICS

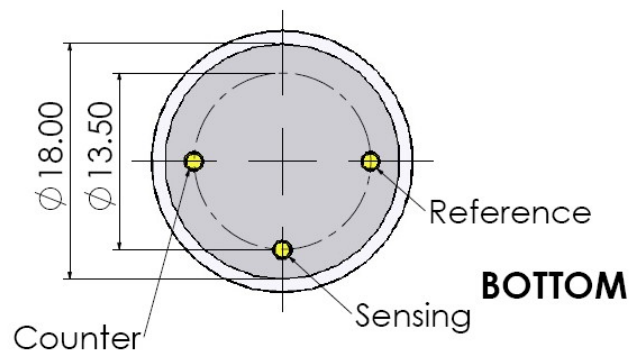
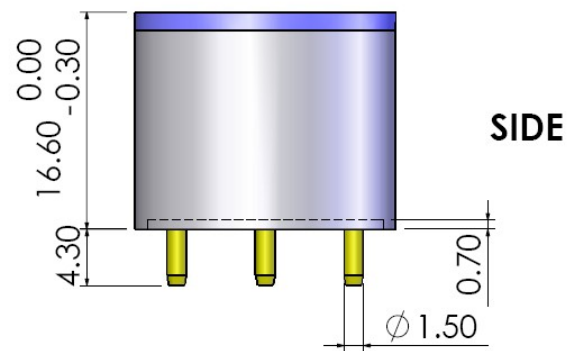
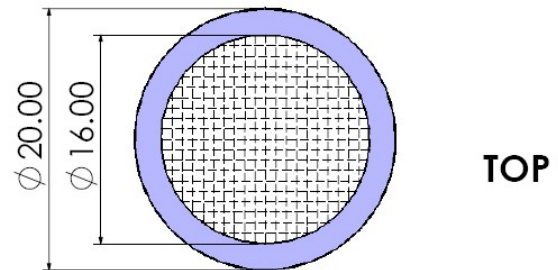
Label colour	silver
Weight	6 g
Dimensions	see outline

This device is designed to be RoHS compliant.

CROSS-SENSITIVITY DATA

GAS	Concentration (ppm)	Sensor Response (As ppm Cl ₂)
Carbon Dioxide	10,000	0
Carbon Monoxide	100	0
Chlorine Dioxide	1	3.5
Hydrogen	3000	0
Hydrogen Sulfide	20	-4
Nitrogen Dioxide	10	12
Sulfur Dioxide	20	0
Ammonia	100	0
Nitric Oxide	35	0

OUTLINE



All dimensions in mm.
All tolerances ±0.15mm unless otherwise stated.

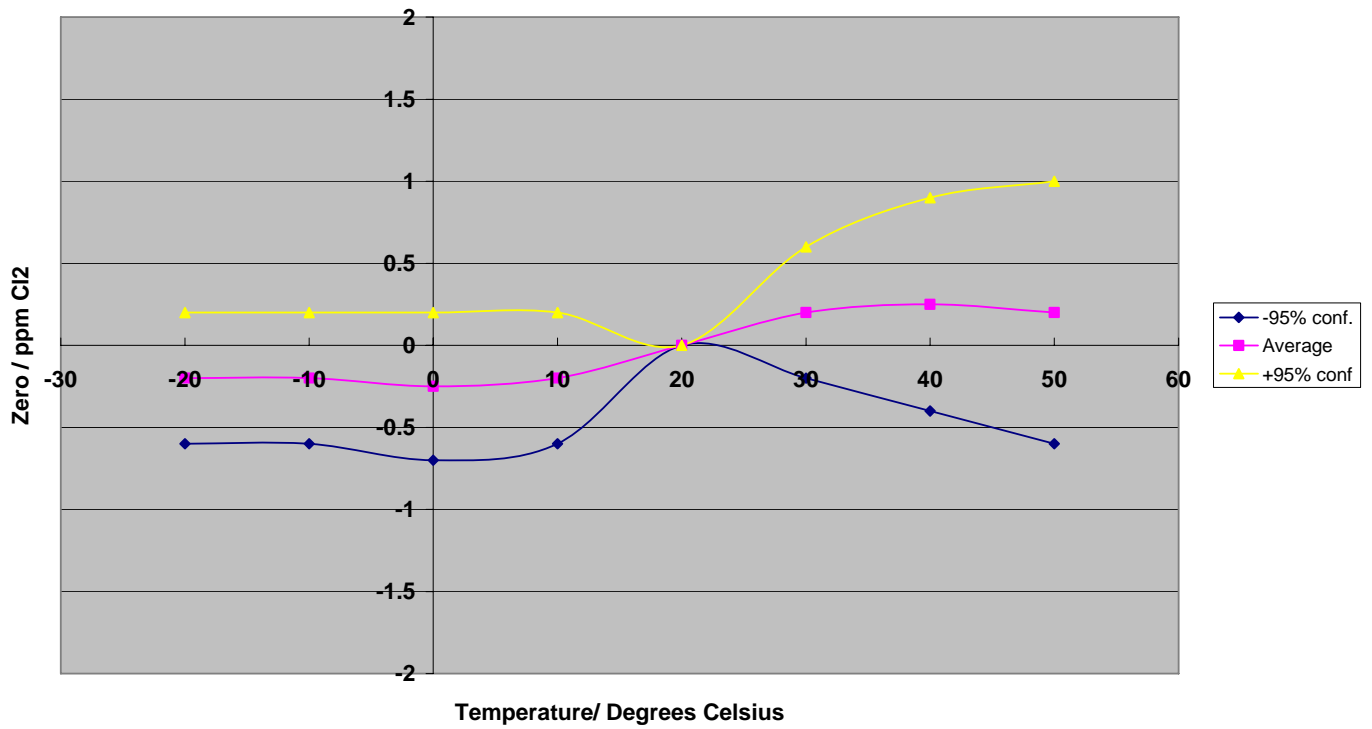
Important Note

Do not solder to the connector pins as this may damage the sensor and thereby invalidate the warranty.

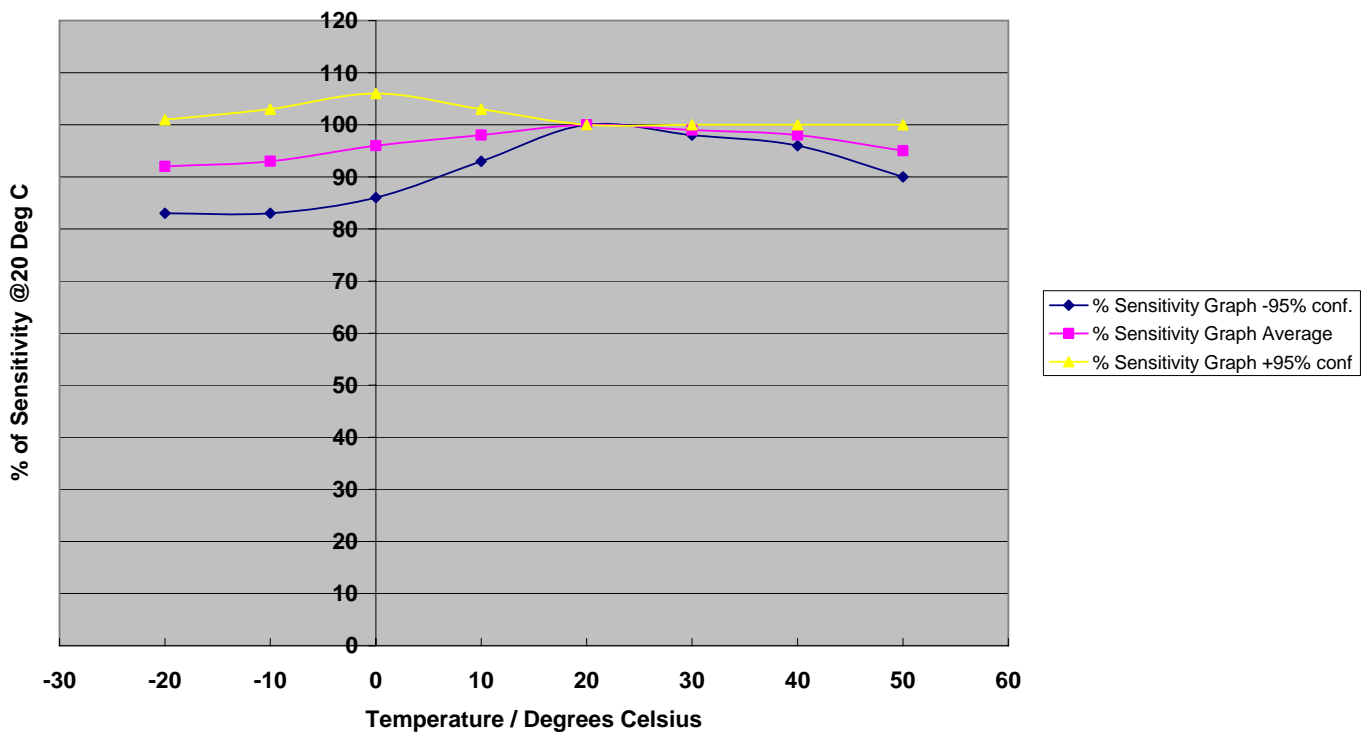
Details on recommended connector pins can be found in the Frequently Asked Questions within the Gas Sensor section of the SGX website.

TEMPERATURE DEPENDENCE

EC4-200-CI2 Graph of Zero vs Temperatures



EC4-200-CI2 Graph of Net Sensitivity vs Temperature



Mouser Electronics

Authorized Distributor

Click to View Pricing, Inventory, Delivery & Lifecycle Information:

[Amphenol:](#)

[EC4-200-CL2](#)