

PERFORMANCE

Range 0 - 50 ppm
 Sensitivity (see note)..... 220 - 580 nA/ppm ClO2
 Zero in air at 20 °C..... <±0.09ppm ClO2
 Resolution 0.05 ppm ClO2
 Expected lifetime 2 years
 Linearity linear across range
 Response time, t90 <60 s
 Long-term output drift..... <2% change in output per month
 Operating circuit..... see Electrochemical Toxic Sensor
 Application Note

Note: This output current is negative. This is because the sensor reaction is a reduction of the target gas.

OPERATING CONDITIONS

Temperature range -20 to +50 °C
 Operating humidity 15 - 90% RH (non-condensing)
 Pressure range 90 - 110 kPa (nominal)
 Operating circuit..... see Electrochemical Toxic Sensor
 Application Note
 Applied potential 0 V
 Storage life..... 6 months in original packaging (0 - 25 °C)

PHYSICAL CHARACTERISTICS

Label colour silver
 Weight..... 6 g
 Dimensions see outline
 Shelf life 6 months

This device is designed to be RoHS compliant.

CROSS-SENSITIVITY DATA

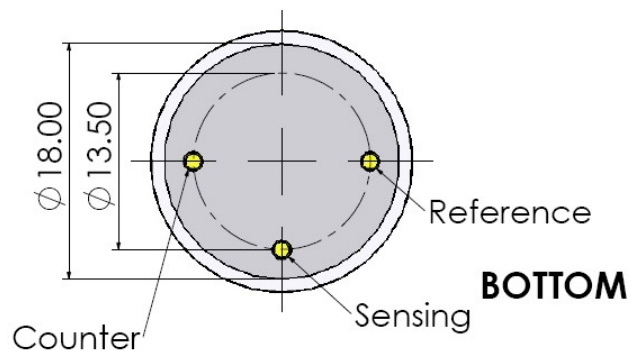
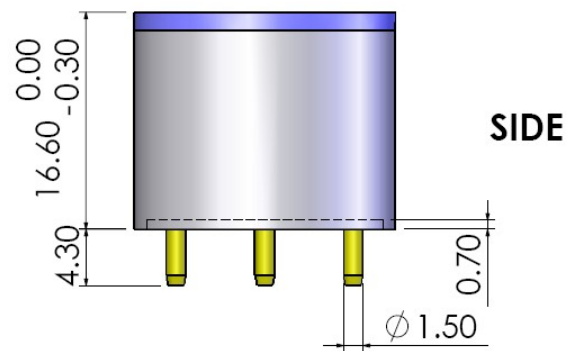
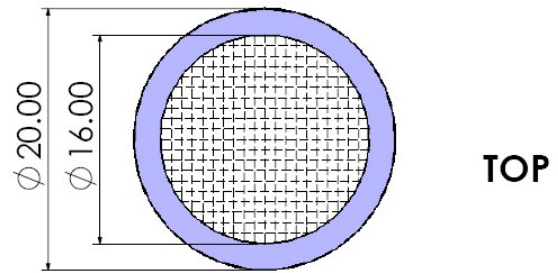
GAS	Concentration (ppm)	Sensor Response (As ppm CO)
H2S	20	-4.5
IsoButane	5000	0
NO2	10	13.5
H2	3000	0
CO	100	0
CO2	5000	0
Cl2	10	12

Important Note

Do not solder to the connector pins as this may damage the sensor and thereby invalidate the warranty.

Details on recommended connector pins can be found in the Frequently Asked Questions within the Gas Sensor section of the SGX website.

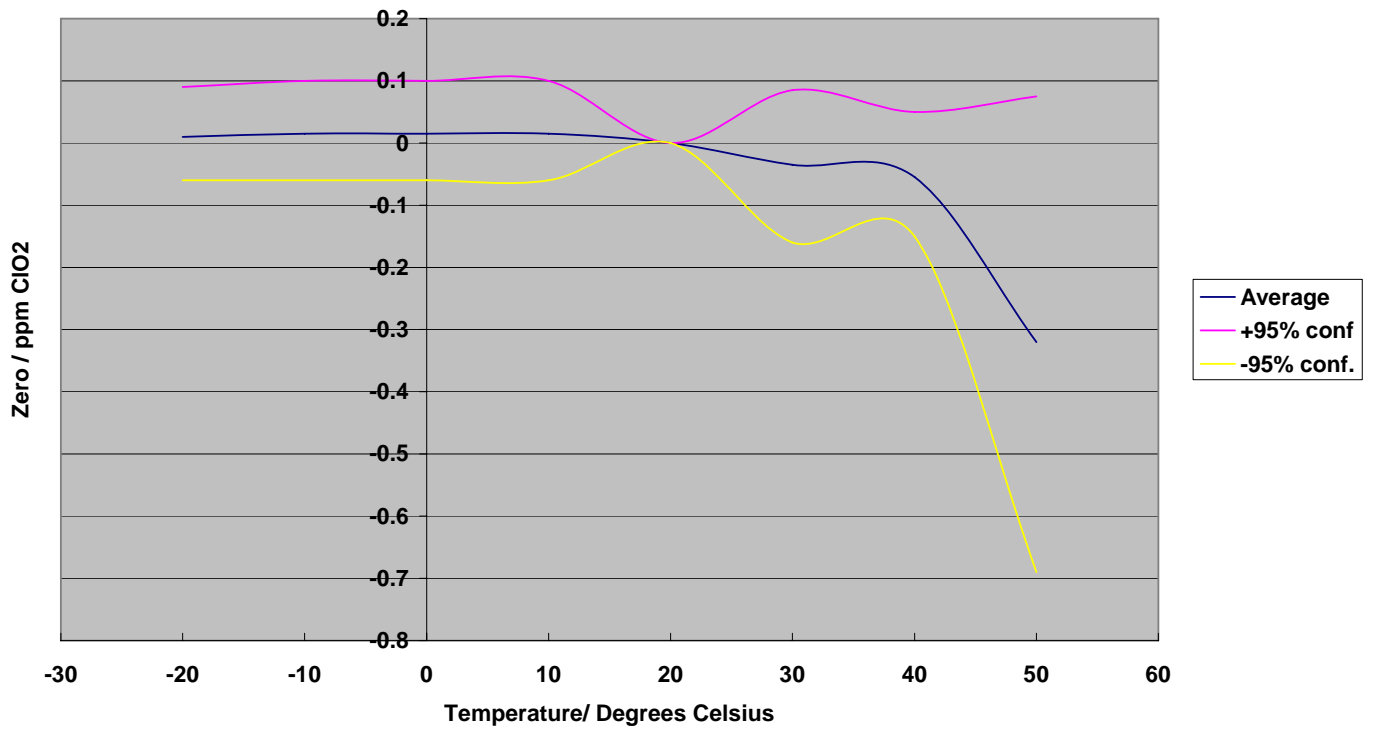
OUTLINE



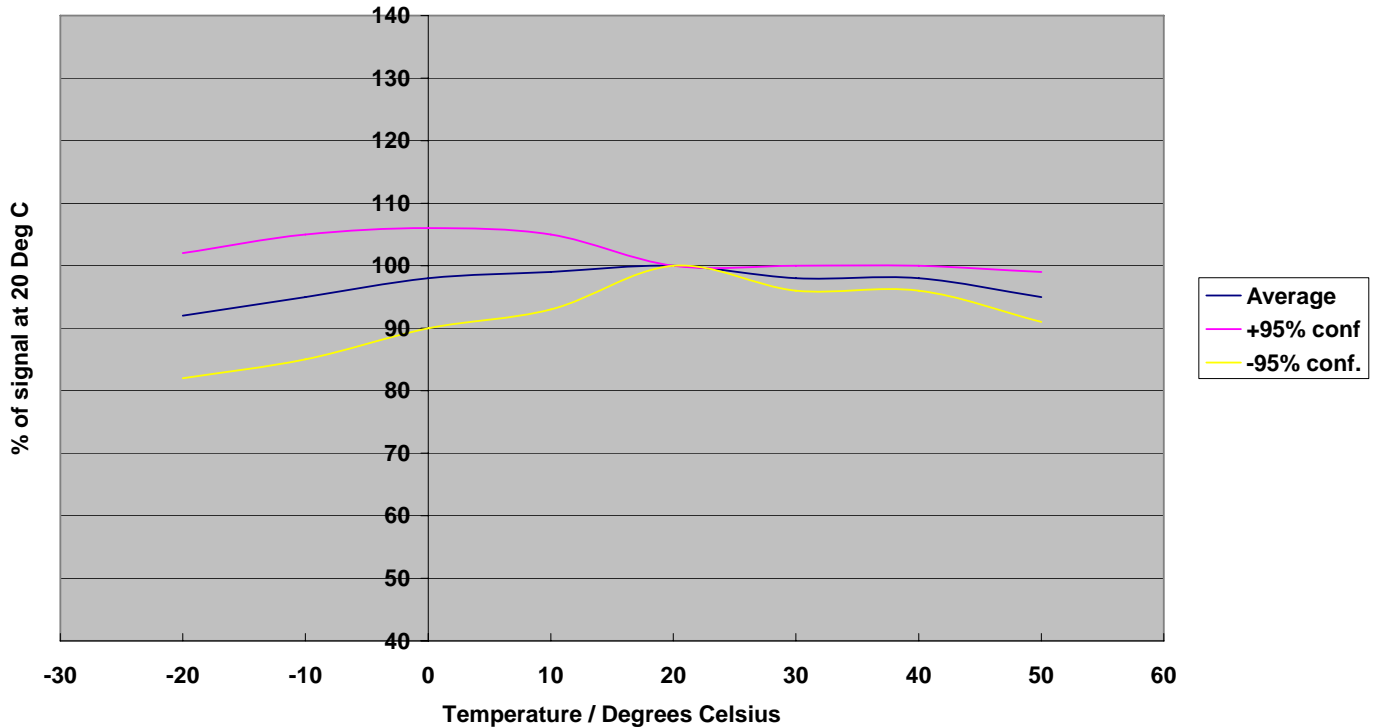
All dimensions in mm.
 All tolerances ±0.15mm unless otherwise stated.

TEMPERATURE DEPENDENCE

EC-4-CIO2 Graph of Sensor Zero vs Temperature



EC4 -50-CIO2 Graph of % Sensitivity vs Temperature



Mouser Electronics

Authorized Distributor

Click to View Pricing, Inventory, Delivery & Lifecycle Information:

[Amphenol:](#)
[EC4-50-CLO2](#)